

GENERAL NOTES

BASIS OF DESIGN
This drawing has been prepared from information supplied to us by, or on behalf of the contractor, who should check that his requirements have been correctly interpreted and that all loadings, dimensions, lift heights, bay sizes, erection/striking sequences etc. are as required and practicable.

IMPOSED LOADS
The contractor is to ensure that the existing structure, its fabric and/or the ground will safely support the extra imposed loads; or supply new.
Maximum calculated tie load. See notes
Maximum calculated leg load. See notes

LOADINGS ALLOWED
The contractor must ensure that all loading(s) allowed for is sufficient.
Live loads: See notes
See notes

Windloading: As BSEN1991-1-4
Maximum number of boarded levels:

SHORING WORK
We can not and will not pass comment on the structure being shored, as this involves matters beyond our control and knowledge. It is the contractor's responsibility to ensure that the existing structure will safely span between our supports, and can be safely shored in the way indicated.

FOUNDATIONS
The contractor must prepare all foundations prior to erection.

TEMPORARY ROOFS
No temporary roof can be made watertight.
Loading: Snow loading assessed using BSEN1991-1-3 2003, unless the contractor adopts a snow management system.

MATERIALS
All scaffolding materials forming this structure are to comply, and be constructed in accordance with BS1139, BSEN12811 and TG20:13 (current editions).

MODIFICATION
No alteration is to be made to the structure detailed on this drawing without prior written permission from Prime Scaffold and Structural Designs Ltd.

PROPERTY
This drawing is confidential and the exclusive property of THE SCAFFOLD CONTRACTOR. No unauthorised use, copy or disclosure is to be made, and is to be returned on request.

DIMENSIONS
Written dimensions shall take precedence over scaled dimensions. The contractor must verify all site dimensions and notify of any discrepancies prior to erection.

PERMITS AND PERMISSIONS
The contractor must obtain all permits and permissions prior to erection.

CONSTRUCTION NOTES

- 1) All ladder beams and/or unit beams are to be tied together at 1200 centres on top chord and 2400 centres on bottom chord, with the top chord plan braced, unless stated otherwise.
- 2) Unless otherwise noted all lifts other than boarded platform levels are to be constructed using load bearing couplers.
- 3) All general construction is to be in accordance with TG20:13 unless noted otherwise.
- 4) Main contractor to undertake all making good where necessary.
- 5) Main contractors to provide and maintain adequate tie positions.
- 6) No additional sheeting, wind protection or fans to be added to this structure without prior written permission from Prime Scaffold and Structural Designs Ltd.

ISSUED AS WORKING DRAWING

Revisions:

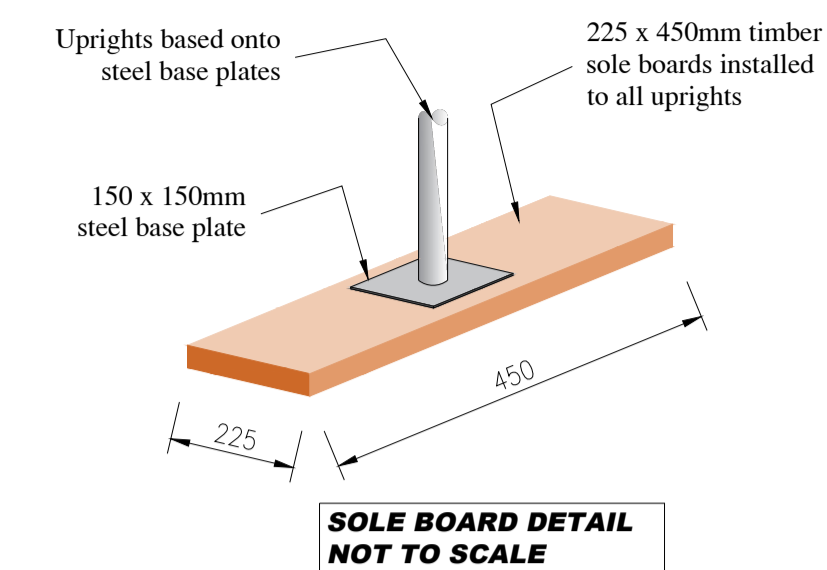
	DATE	REVISION DETAILS	INITIAL
A	16/10/2020	Issued as working drawing	
B	10/11/2020	Tie detail & narrow scaffold configuration amended	
C			
D			
E			
F			

Client:



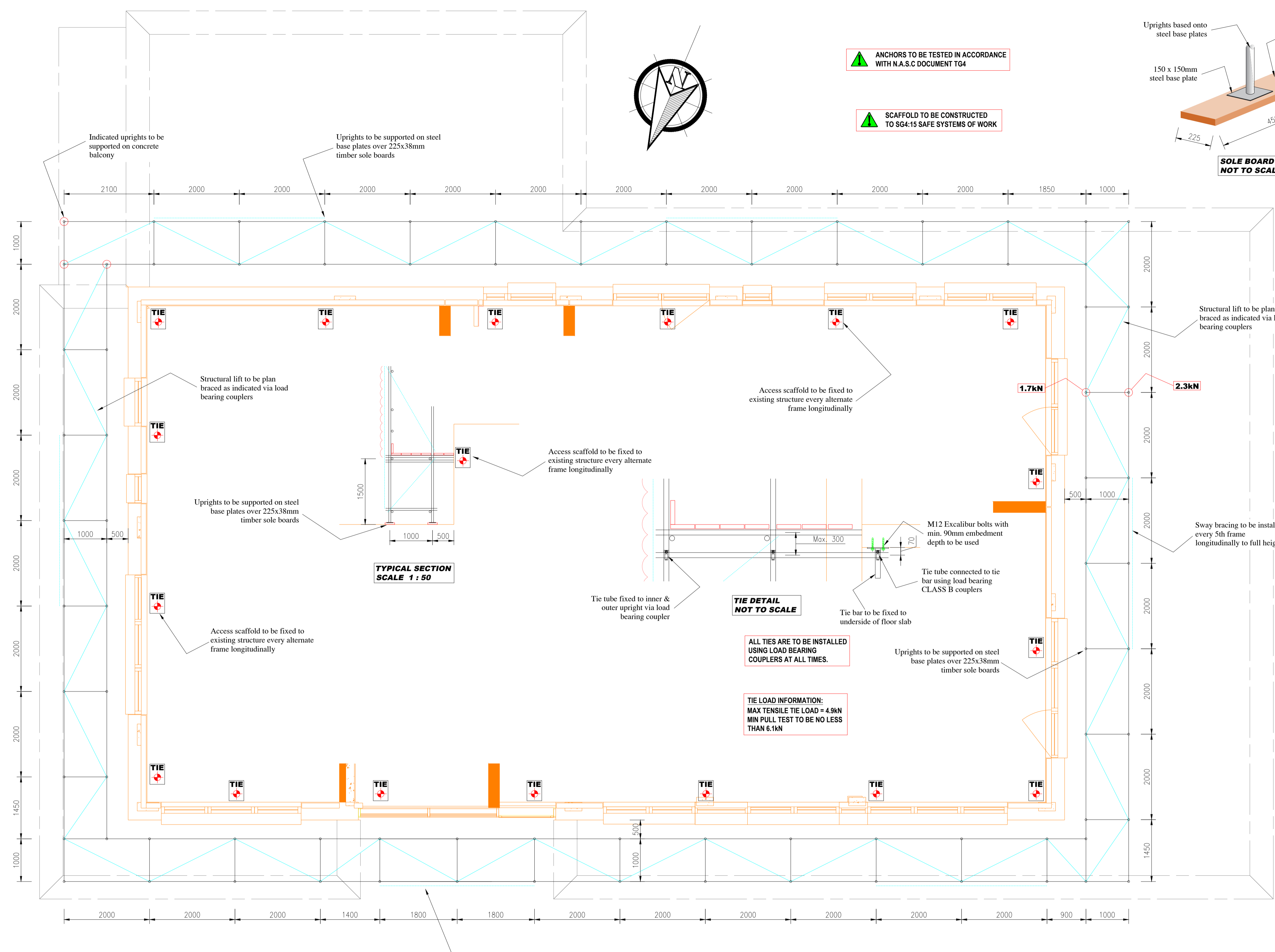
TITLE:
**Proposed Scaffold Layout for
Access Scaffold @ 392-394
Seven Sister's Road, London.**

DRAWN: T. Brown	CHECKED BY: _
CLIENT: Reunited Scaff.	DATE: 04/10/2020
SCALE: (ORIG DRG) As Drg @ A1	DRG No: A/RS 9018-3B



ANCHORS TO BE TESTED IN ACCORDANCE WITH N.A.S.C DOCUMENT TG4

SCAFFOLD TO BE CONSTRUCTED TO SG4:15 SAFE SYSTEMS OF WORK



TYPICAL SECTION SCALE 1:50

TIE DETAIL NOT TO SCALE

PLAN LAYOUT @ ROOF LEVEL SCALE 1:75

STRUCTURAL TRANSOM NOT TO SCALE

! DESIGN BASED RESIDUAL HAZARD !

Design based hazards actively eliminated where possible in the design process. Where hazards cannot be eliminated, this symbol on the drawing with an attached note means:
1: Design based hazards exist within this proposal.
2: Action is required by the person supervising the work to manage the design hazards during construction.
In accordance with THE SCAFFOLD CONTRACTORS Procedures. The PERSON SUPERVISING the construction MUST CONTACT the design office BEFORE WORK COMMENCES for CLARIFICATION of the identified hazards.

! PROPOSAL APPROVAL !

CUSTOMER TO:
A- Approve layout prior to any erection.
B- Ensure structure is capable of withstanding all loads imposed from scaffold.

! ACCESS SCAFFOLD !

LOAD CONSIDERATIONS !
IMPOSED LOADING NOT TO EXCEED 1 NO. WORKING LEVEL RATED AT 2.0kN/m² AND 1 NO. LEVEL AT 1.0kN/m BETWEEN UPRIGHTS WITH 0.75kN/m² ON THE INSIDE BOARDS.

! LOADING GANTRY !

LOAD CONSIDERATIONS !
IMPOSED LOADING NOT TO EXCEED 1 NO. WORKING LEVEL RATED AT 10.0kN/m² AT ANY TIME

! BEAM SPANS !

ALL BRIDGE BEAMS TO BE TIED AT 1.0m MAX. ON THE TOP CHORD AND 2.0m MAX. ON THE BOTTOM CHORD, WITH CANTILEVERED BEAMS TIED IN REVERSE (UNLESS STATED OTHERWISE)

ALL UPRIGHTS TO BE BASED FROM FIRM LEVEL GROUND AT ALL TIMES.

BAY LAYOUT HAS BEEN SHOWN, WHERE NECESSARY BAY SIZES CAN BE ALTERED TO SUIT SITE CONDITIONS AND OBSTACLES - MAX BAY LENGTH NOT TO EXCEED 2.2m

Structural transoms to be installed every alternate frame longitudinally via load bearing couplers on debris netted access scaffold

ALL TIES ARE TO BE INSTALLED USING LOAD BEARING COUPLERS AT ALL TIMES.

TIE LOAD INFORMATION:
MAX TENSILE TIE LOAD = 4.9kN
MIN PULL TEST TO BE NO LESS THAN 6.1kN

1.7kN

2.3kN

Structural lift to be plan braced as indicated via load bearing couplers

Access scaffold to be fixed to existing structure every alternate frame longitudinally

Access scaffold to be fixed to existing structure every alternate frame longitudinally

Uprights to be supported on steel base plates over 225x38mm timber sole boards

Access scaffold to be fixed to existing structure every alternate frame longitudinally

Tie tube fixed to inner & outer upright via load bearing coupler

M12 Excalibur bolts with min. 90mm embedment depth to be used

Tie tube connected to tie bar using load bearing CLASS B couplers

Tie bar to be fixed to underside of floor slab

Uprights to be supported on steel base plates over 225x38mm timber sole boards

Sway bracing to be installed every 5th frame longitudinally to full height

Sway bracing to be installed every 5th frame longitudinally to full height